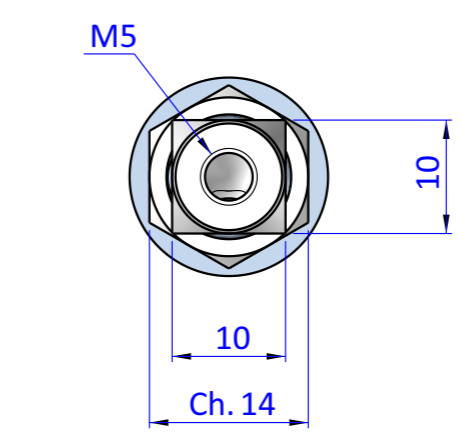
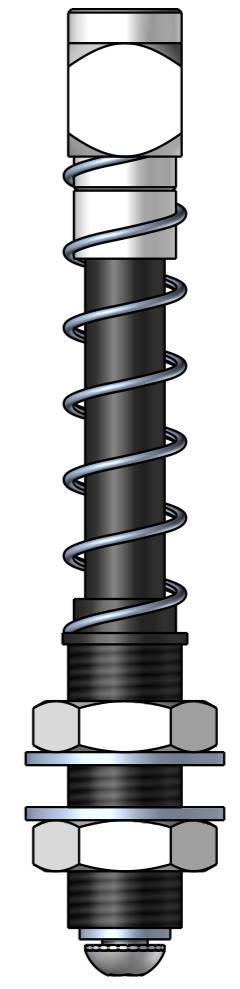
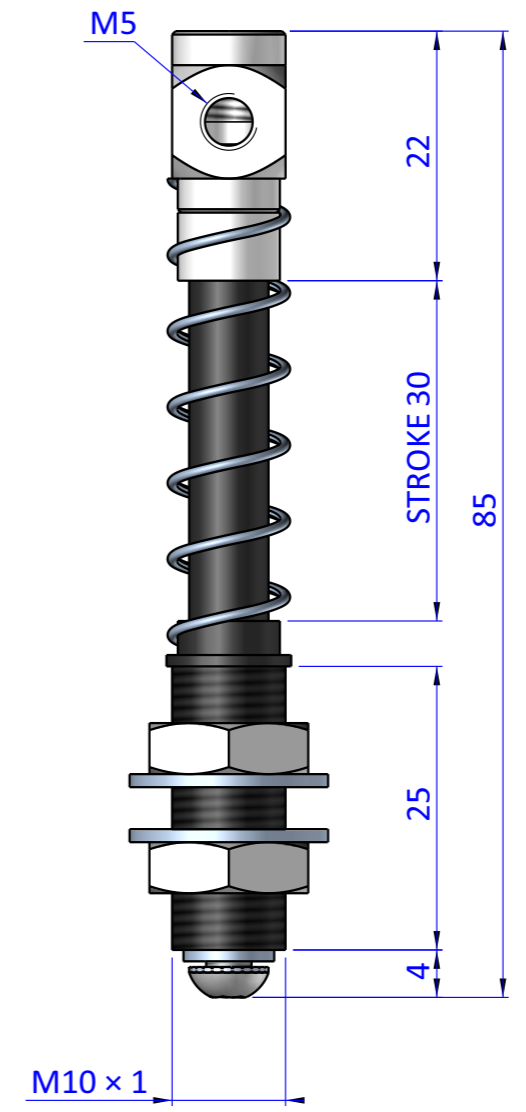
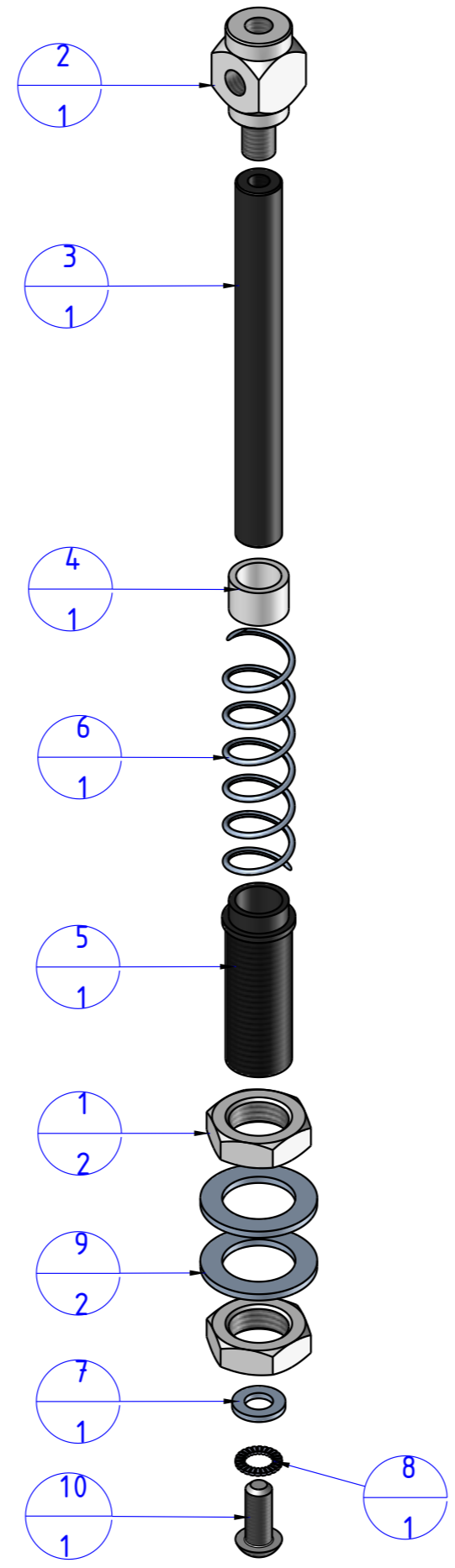



THE PROPERTY OF THE DRAWING IS ESTABLISHED BY LAW. IT IS FORBIDDEN TO PRODUCE OR SHOW IT TO THIRD PART. WITHOUT A WRITTEN AGREEMENT.

Item	Name	Q.ty
1	05.01.005.06	2
2	GGD.10.05.05	1
3	GGD.10.30	1
4	GGD.10.30.01	1
5	GGDG.10.2	1
6	M.10X47	1
7	R.4	1
8	R.4.SCH	1
9	R.10.SCH	2
10	V.TBCE4X10.BUTT	1



Format A3
UNI 936-76

 FPS FPSERVICES AUTOMATION		DESIGNED FROM		REVIEW
		FPS Automation		A
GENERAL TOLERANCE		DATE		WEIGHT
UNI - ISO 2768		09/09/2020		0,020kg
CLASSE f		CODE		
		CA.GGDG.10050530		CA.GGDG.10050530